

# BLUME

SILENT & ENERGY SAVING

## Features



- Specially designed mixed-flow impeller profile ensures high air flow and low noise level.
- Casing and impeller made of quality durable UV-resistant plastic.
- Backdraft damper for back flow prevention.
- The high ingress protection rating of IP45 makes the fan the ideal solution for the ventilation of bathrooms and shower rooms.
- Low energy demand 7.5 W due to a new high-efficient motor.
- The motor is mounted on special anti-vibration dampers.
- The exhaust pipe incorporates a specially designed air rectifier to reduce the air turbulence, increase pressure and lower the noise level.



**Air flow:**  
97 m<sup>3</sup>/h  
27 l/s



**Power:**  
7.5 W

**SFP:**  
0.28 W/l/s



**Noise level:**  
25 dBA



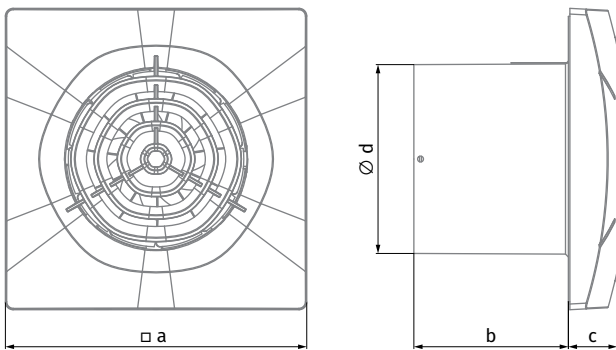
## Options



Model	Blume 100						
	S	T	TR	ST	H	SH	IR
Pull cord switch	•			•		•	
Turn-on delay timer			•				
Turn-off delay timer		•	•	•	•	•	•
Humidity sensor					•	•	
Motion sensor							•

- **Turn-on delay timer**
  - Turn-on delay time adjustable from 0 to 2 min.
- **Turn-off delay timer**
  - Adjustable delay from 2 to 30 min.
- **Humidity sensor**
  - Humidity setpoint adjustable from 60 % up to 90 %.
- **Motion sensor**
  - Detection range from 1 up to 4 m.
  - Detection angle up to 100°.

## Dimensions

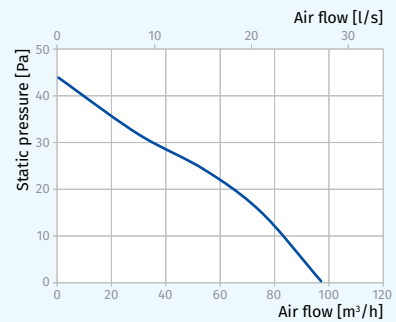


Dimensions [mm]	a	b	c	Ø d
Blume 100	158	81	26	100

## Technical data

Model	Blume 100
Voltage [V/Hz]	220-240/50
Power [W]	7.5
Current [A]	0.049
Air flow [m <sup>3</sup> /h (l/s)]	97 (27)
SFP [W/l/s]	0.28
Sound pressure level [dBA]*	25

\* Sound pressure level measured in free space at a distance of 3 meters from the fan.



## Designation key

Blume	100	ST
Model	Spigot diameter	Option

## Accessories

### Duct system



BlauPlast

### Flexible air ducts



BlauFlex

### Grilles and hoods



Decor, GM

### Speed controllers



CDT E1.8

MCD 60/0.3

### Clamps



K, KZ