

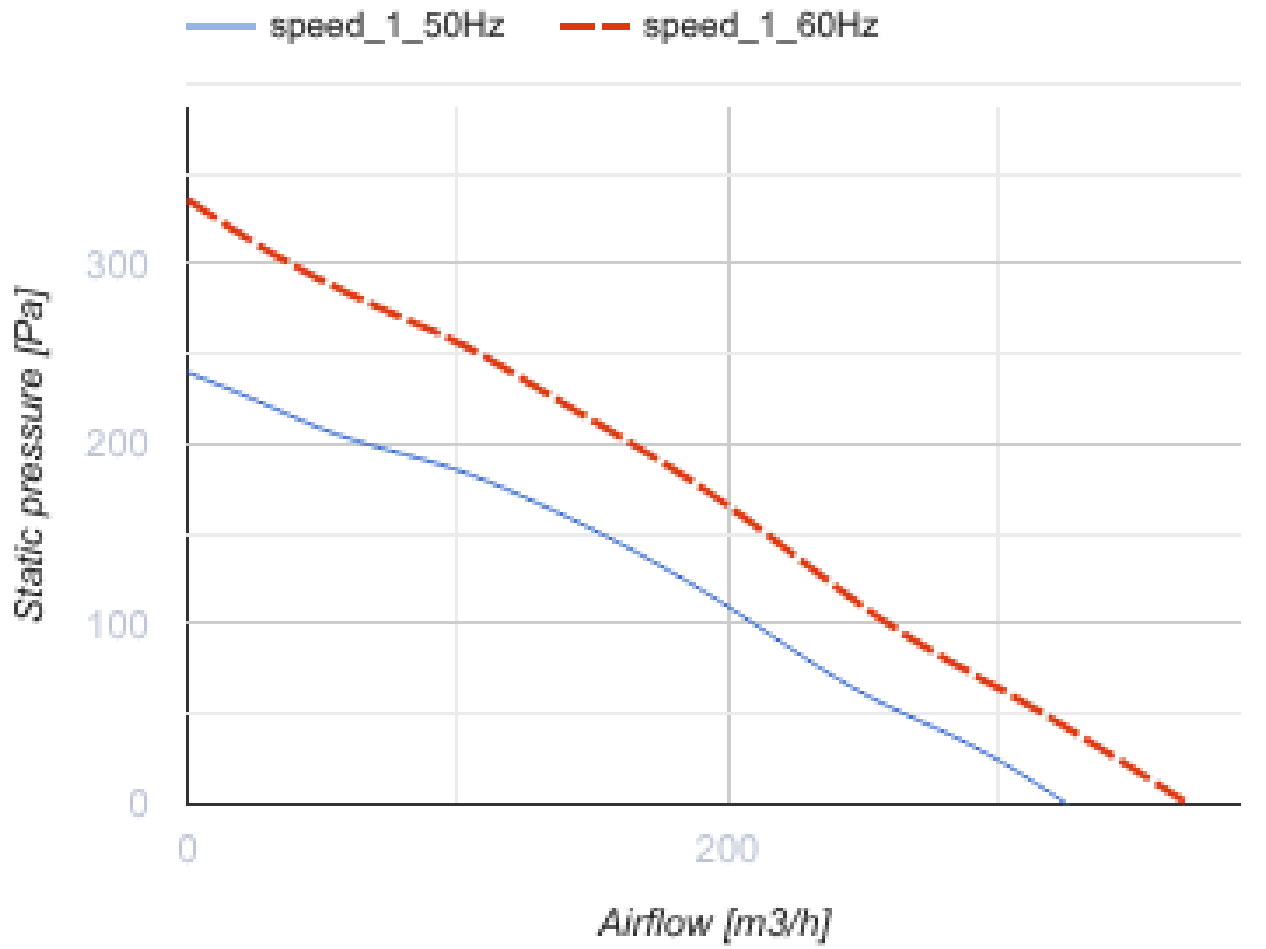


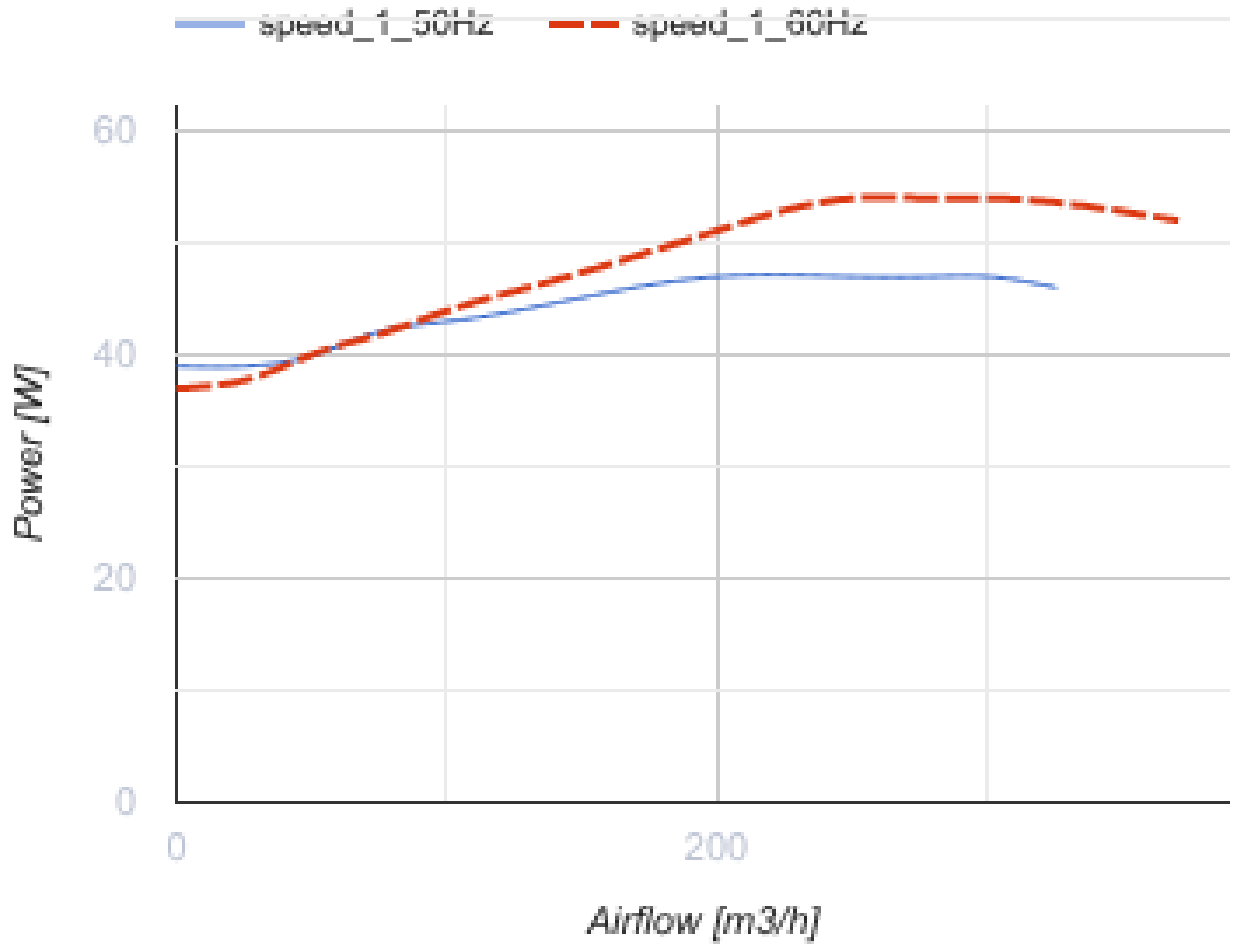
## Centro-M 125 L

Centrifugal inline fans

- Impeller type: Centrifugal impeller with backward curved blades
- Casing material: Coated steel
- Installation in any position

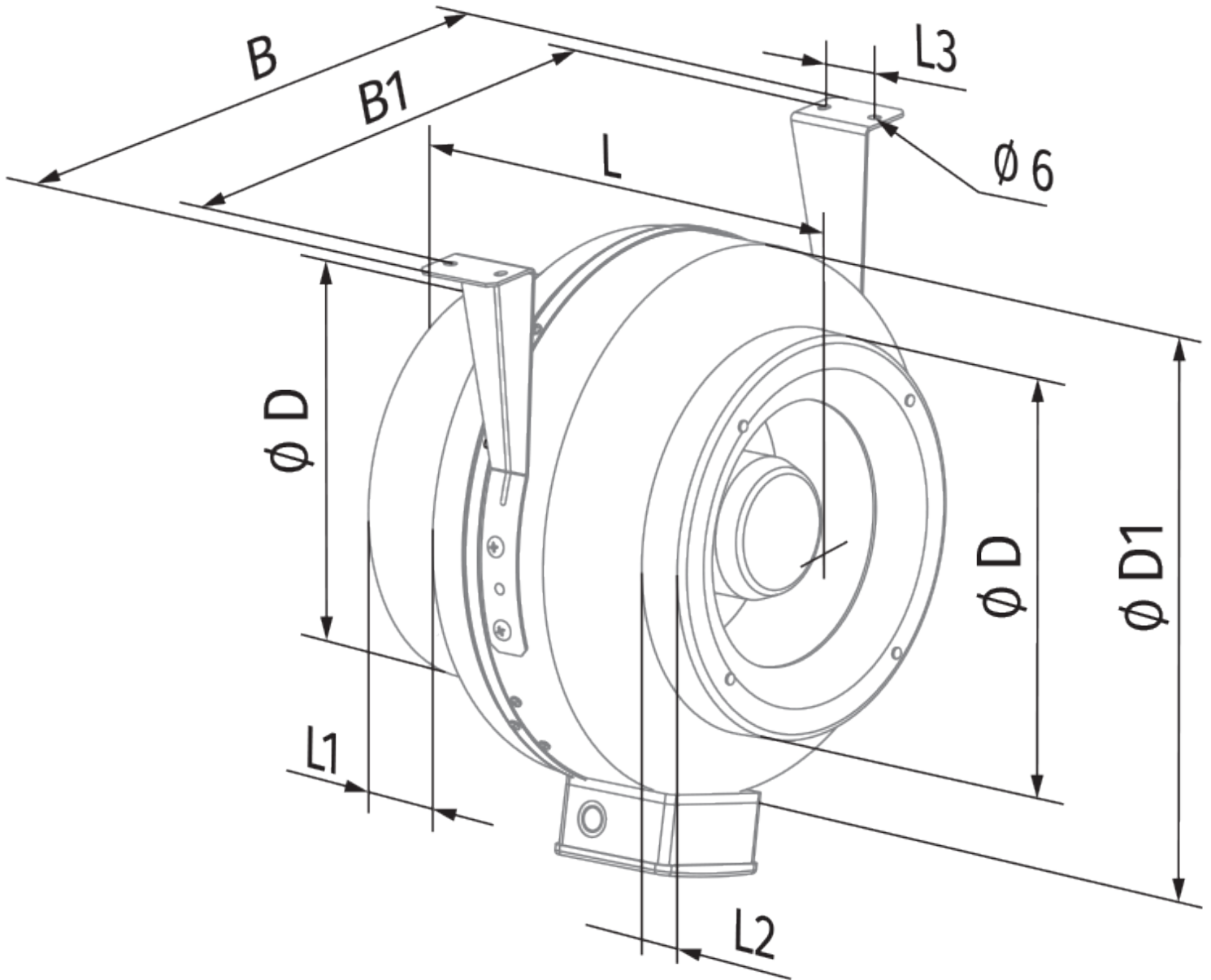
	Unit of measurement	Centro-M 125 L	
Phases	-	1	
Minimum supply voltage	V	220	
Maximum supply voltage	V	240	
Power supply frequency	Hz	50	60
Maximum airflow	m <sup>3</sup> /h	326	
Weight	kg	2.9	
Transported air temperature (max)	°C	45	
Transported air temperature (min)	°C	-25	
Ingress protection rating	-	IPX4	
Ingress protection rating of the drive	-	IP44	
Impeller material	-	Plastic	



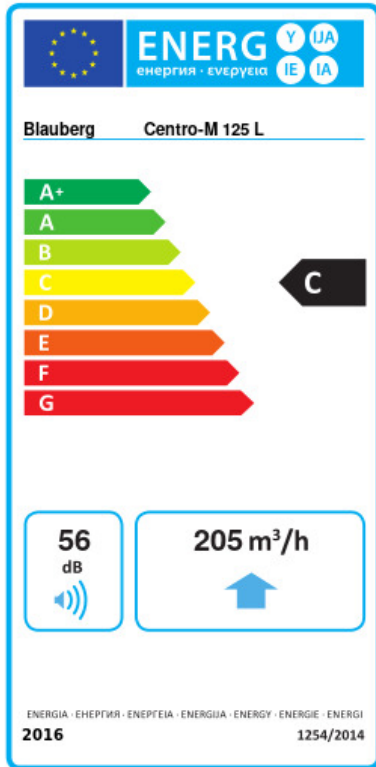


### Dimensions

Ø D	Ø D1	B	B1	L	L1	L2	L3
123	255	310	270	205	20	25	30



## Ecodesign



Trademark	Blauberg					
Model	Centro-M 125 L					
Specific energy consumption (SEC) (kWh/(m <sup>2</sup> /a))	Cold		Average		Warm	
	-51.3	A+	-24.2	C	-8.7	F
Type of ventilation unit	Unidirectional					
Type of drive installed	Variable speed					
Type of heat recovery system	None					
Maximum flow rate (m <sup>3</sup> /h)	205					
Electric power input (W)	46					
Reference flow rate (m <sup>3</sup> /s)	0.04					
Reference pressure difference (Pa)	50					
Specific power input (SPI) (W/(m <sup>3</sup> /h))	0.307					
Control typology	Local demand control					
Maximum external leakage rates (%)	2.7					
Declared typology	RVU UVU					
Sound power level (dB(A))	56					
The annual electricity consumption (AEC) (kWh/a)	Cold		Average		Warm	
	162		162		162	
The annual heating saved (AHS) (kWh/a)	Cold		Average		Warm	
	5536		2830		1280	

## Accessories

### Water heaters


Name	Photo	Description
<a href="#">WKH 125-2</a>		Duct water heaters for round ducts
<a href="#">WKH 125-4</a>		Duct water heaters for round ducts

### Fittings

Name	Photo	Description
------	-------	-------------

<a href="#">K 125</a>		Clamp for round flexible ducts
-----------------------	---	--------------------------------

### Thyristor speed controllers

Name	Photo	Description
<a href="#">CDTE E1.5 TP</a>		Speed controllers